

# BÄRO

Retail  
Lighting

## RECESSED LUMINAIRE SERIES

Intara RD 16x

Intara RD 19x

Intara SQ 17x

Intara RC 300 . 625





# Recessed luminaires

- P. 6 Intara RD 16x  
Intara RD 162  
Intara RD 163
- P. 10 Intara RD 19x  
Intara RD 190  
Intara RD 192  
Intara RD 193  
Intara RD 197
- P. 18 Intara SQ 17x  
Intara SQ 172  
Intara SQ 173  
Intara SQ 175  
Intara SQ 177
- P. 26 Intara RC 300 . 625  
Intara RC 300  
Intara RC 625
- P. 30 Lighting technology  
Light distribution curves  
and light diagrams
- P. 39 Publishing details



# Recessed luminaires

INTARA RD 16X, INTARA RD 19X, INTARA SQ 17X,  
INTARA RC 300 . 625

The recessed luminaire family Intara RD 16x, Intara RD 19x and Intara SQ 17x combine innovative LED technology with clean, timeless luminaire design. Thanks to their clear design idiom and high technical versatility, these luminaires are suitable for fitting in almost all locations.

In addition, the recessed luminaires Intara RC 300 and Intara RC 625 complete the BÄRO product range with their WallWash reflectors.

All recessed luminaires boast excellent thermal management that guarantees optimal operating conditions. State-of-the-art LED arrays and modern driver technology guarantee excellent light quality and very high efficiency. The luminaires are also available as a DALI version for integration in a light control system.



# Intara RD 16x

RECESSED LUMINAIRES INTARA RD 162 . 163

Originally designed for lighting sales counters, the circular recessed luminaire family Intara RD 16x has long become a classic all-rounder. With its 165 mm cut-out, Intara RD 16x luminaires are suited to virtually any installation situation. The infinitely variable angle of adjustment is 25°, enabling precise alignment.

The recessed luminaires that are either passively or actively cooled are available with various light colours and reflectors. They are available with powder coating in strato black, strato silver and strato white and on request in all RAL colours.

# Intara RD 162

LED passive

COLOUR CODE	927	830	835	840
Luminous flux [lm]	2,180	2,900	2,970	3,010
System power [W]	25	25	25	25

COLOUR SPECTRUM	Sun	GoldenBread	PearlWhite
Luminous flux [lm]	2,460	2,160	2,420
System power [W]	42	25	25

COLOUR SPECTRUM	FreshMeat	SpecialMeat	Fish&Seafood
Luminous flux [lm]	1,180	1,420	1,650
System power [W]	25	25	25

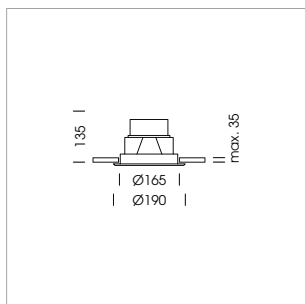


These are the smallest available system wattages and the resulting luminaire luminous fluxes for Spot, Flood and OvalBasic reflectors.

All data are typical values. System features may change with product improvements due to technical advances.

Recessed luminaire with LED, passive cooling, chromaticity point tolerance 3 SDCM (initial), reflector 99.99% pure aluminium in MIRO-SILVER®, infinitely adjustable, luminaire housing sheet steel, powder-coated, including glass cover, luminaire colours strato black, strato silver, strato white, protection rating IP 20, protection class III, separate driver unit, weight excluding driver unit 0.9 kg

Luminaire body in RAL colours, filter discs, mounting accessories and DALI-compatible driver optional



Further information and light distribution curves from page 30





# Intara RD 163

LED active

COLOUR CODE	927	830	835	840
Luminous flux [lm]	4,150	5,490	5,630	5,710
System power [W]	53	53	53	53

COLOUR SPECTRUM	Sun	GoldenBread	PearlWhite
Luminous flux [lm]	2,980	4,100	4,580
System power [W]	53	53	53

COLOUR SPECTRUM	FreshMeat	SpecialMeat	Fish&Seafood
Luminous flux [lm]	2,250	2,550	2,970
System power [W]	53	53	53

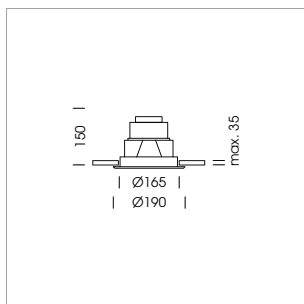


These are the smallest available system wattages and the resulting luminaire luminous fluxes for Spot, Flood and OvalBasic reflectors.

All data are typical values. System features may change with product improvements due to technical advances.

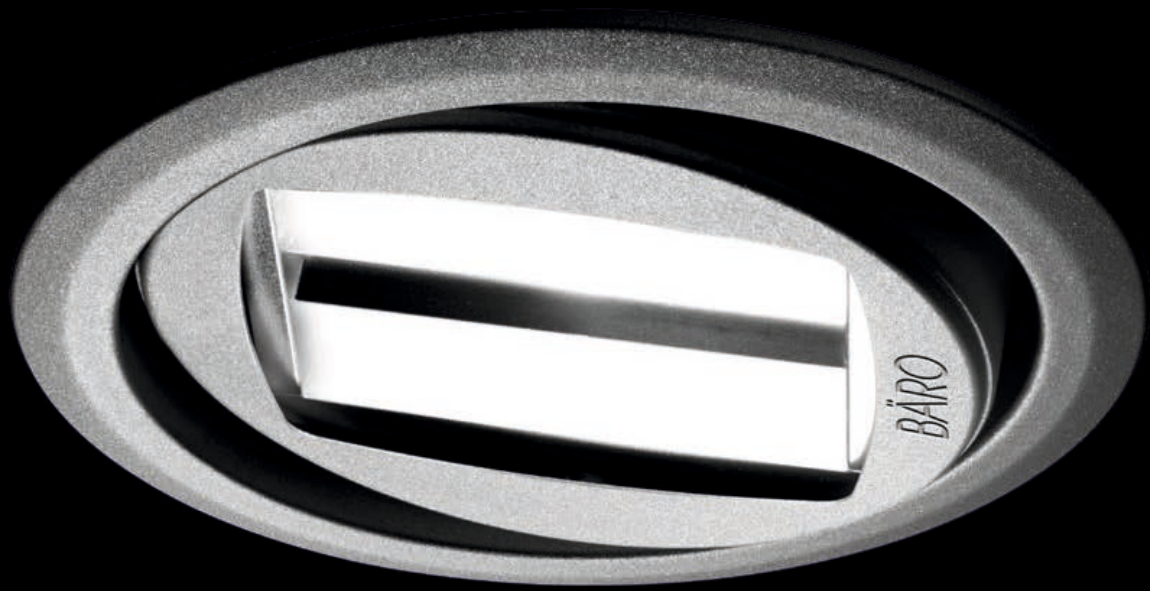
Recessed luminaire with LED, active cooling, chromaticity point tolerance 3 SDCM (initial), reflector 99.99% pure aluminium in MIRO-SILVER®, infinitely adjustable, luminaire housing sheet steel, powder-coated, including glass cover, luminaire colours strato black, strato silver, strato white, protection rating IP 20, protection class III, separate driver unit, weight excluding driver unit 1.1 kg

Luminaire body in RAL colours, filter discs, mounting accessories and DALI-compatible driver optional



Further information and light distribution curves from page 30





# Intara RD 19x

RECESSED LUMINAIRES INTARA RD 190 . 192 . 193 . 197

The Intara RD 19x family of recessed luminaires combines a clear and modular design structure for maximum technical variability. Thanks to the use of up to six different reflectors, the luminaires fulfil all lighting requirements. Infinitely adjustable by up to 30° and with a pivot angle of up to 340°, the luminaires are simple to align accurately.

Depending on the lighting situation and the desired lighting effect, Intara RD 19x are available as a passively and an actively cooled version and with various light colours.

The segmented reflectors with a micro-structured MIRO-SILVER® surface specially developed by BÄRO produce extremely efficient light channelling and maximum efficiency.

# Intara RD 190

LED passive

COLOUR CODE	827	830	835	840
Luminous flux [lm]	6,420	6,720	6,870	6,940
System power [W]	59	59	59	59

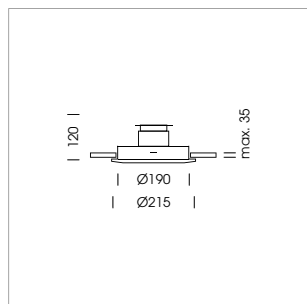
The available system wattage and the resulting luminaire luminous flux for the BatWing reflectors 2 x 25°/2 x 35° are specified.

All data are typical values. System features may change with product improvements due to technical advances.



Recessed luminaire with LED, passive cooling, chromaticity point tolerance 3 SDCM (initial), reflector 99.99% pure aluminium in MIRO-SILVER®, infinitely pivoted and adjustable, mounting frame and luminaire housing sheet steel, powder-coated, luminaire colours strato black, strato silver, strato white, protection rating IP 20, protection class III, separate driver unit, weight excluding driver unit 1.2 kg

Luminaire body in RAL colours, mounting accessories and DALI-compatible driver optional



Further information and light distribution curves from page 30



# Intara RD 190

LED active

COLOUR CODE	827	830	835	840
Luminous flux [lm]	8,410	8,810	8,990	9,100
System power [W]	79	79	79	79

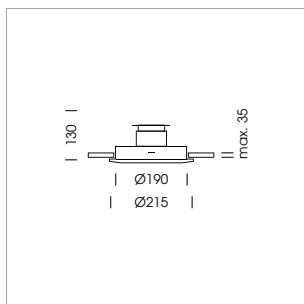
The available system wattage and the resulting luminaire luminous flux for the BatWing reflectors 2 x 25°/2 x 35° are specified.

All data are typical values. System features may change with product improvements due to technical advances.



Recessed luminaire with LED, active cooling, chromaticity point tolerance 3 SDCM (initial), reflector 99.99% pure aluminium in MIRO-SILVER®, infinitely pivoted and adjustable, mounting frame and luminaire housing sheet steel, powder-coated, luminaire colours strato black, strato silver, strato white, protection rating IP 20, protection class III, separate driver unit, weight excluding driver unit 1.3 kg

Luminaire body in RAL colours and mounting accessories optional



Further information and light distribution curves from page 30



# Intara RD 192

LED passive

COLOUR CODE	927	830	835	840
Luminous flux [lm]	2,180	2,900	2,970	3,010
System power [W]	25	25	25	25

COLOUR SPECTRUM	Sun	GoldenBread	PearlWhite
Luminous flux [lm]	2,460	2,160	2,420
System power [W]	42	25	25

COLOUR SPECTRUM	FreshMeat	SpecialMeat	Fish&Seafood
Luminous flux [lm]	1,180	1,420	1,650
System power [W]	25	25	25

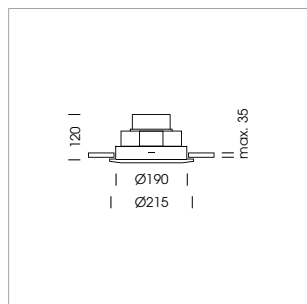


These are the smallest available system wattages and the resulting luminaire luminous fluxes for Spot, Flood and OvalBasic reflectors.

All data are typical values. System features may change with product improvements due to technical advances.

Recessed luminaire with LED, passive cooling, chromaticity point tolerance 3 SDCM (initial), reflector 99.99% pure aluminium in MIRO-SILVER®, infinitely pivoted and adjustable, mounting frame and luminaire housing sheet steel, powder-coated, including glass cover, luminaire colours Protection rating IP 20, protection class III, separate driver unit, weight excluding driver unit 1.1 kg

Luminaire body in RAL colours, filter discs, mounting accessories and DALI-compatible driver optional



Further information and light distribution curves from page 30



# Intara RD 193

LED active

COLOUR CODE	927	830	835	840
Luminous flux [lm]	4,150	5,490	5,630	5,710
System power [W]	53	53	53	53

COLOUR SPECTRUM	Sun	GoldenBread	PearlWhite
Luminous flux [lm]	2,980	4,100	4,580
System power [W]	53	53	53

COLOUR SPECTRUM	FreshMeat	SpecialMeat	Fish&Seafood
Luminous flux [lm]	2,250	2,550	2,970
System power [W]	53	53	53

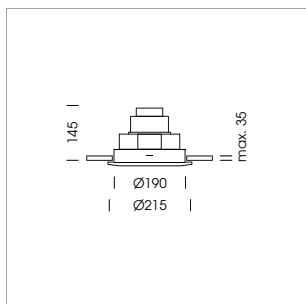


These are the smallest available system wattages and the resulting luminaire luminous fluxes for Spot, Flood and OvalBasic reflectors.

All data are typical values. System features may change with product improvements due to technical advances.

Recessed luminaire with LED, active cooling, chromaticity point tolerance 3 SDCM (initial), reflector 99.99% pure aluminium in MIRO-SILVER®, infinitely pivoted and adjustable, mounting frame and luminaire housing sheet steel, powder-coated, including glass cover, luminaire colours strato black, strato silver, strato white, protection rating IP 20, protection class III, separate driver unit, weight excluding driver unit 1.3 kg

Luminaire body in RAL colours, filter discs, mounting accessories and DALI-compatible driver optional



Further information and light distribution curves from page 30



# Intara RD 197

LED passive

COLOUR CODE	827	830	840
Luminous flux [lm]	2,560	2,650	2,850
System power [W]	39	39	39

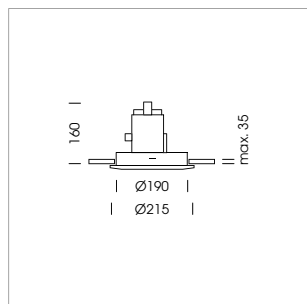
The available system wattage and the resulting luminaire luminous flux for the WallBeam reflector are specified.

All data are typical values. System features may change with product improvements due to technical advances.



Recessed luminaire with LED, passive cooling, chromaticity point tolerance 3 SDCM (initial), reflector 99.99% pure aluminium in MIRO-SILVER®, infinitely pivoted and adjustable, mounting frame and luminaire housing sheet steel, powder-coated, luminaire colours strato black, strato silver, strato white, protection rating IP 20, protection class I, separate driver unit, weight excluding driver unit 1.4 kg

Luminaire body in RAL colours, mounting accessories and DALI-compatible driver optional



Further information and light distribution curves from page 30





# Intara RD 197

LED active

COLOUR CODE	827	830	840
Luminous flux [lm]	3,700	3,830	4,120
System power [W]	59	59	59

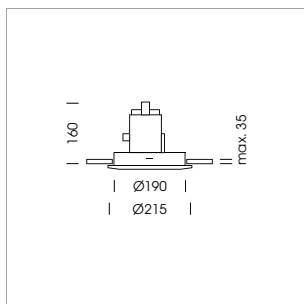
The available system wattage and the resulting luminaire luminous flux for the WallBeam reflector are specified.

All data are typical values. System features may change with product improvements due to technical advances.



Recessed luminaire with LED, active cooling, chromaticity point tolerance 3 SDCM (initial), reflector 99.99% pure aluminium in MIRO-SILVER®, infinitely pivoted and adjustable, mounting frame and luminaire housing sheet steel, powder-coated, luminaire colours strato black, strato silver, strato white, protection rating IP 20, protection class I, separate driver unit, weight excluding driver unit 1.4 kg

Luminaire body in RAL colours, mounting accessories and DALI-compatible driver optional



Further information and light distribution curves from page 30





# Intara SQ 17x

RECESSED LUMINAIRES INTARA SQ 172 . 173 . 175 . 177

Intara SQ 17x luminaires are the square equivalents version to Intara RD 16x. In combination with the latter, in the BÄRO luminaire range Intara SQ 17x have become a well-proven solution for shop and product lighting. The luminaires can be fitted with seven different reflectors. Intara SQ 17x can be swivelled to 30° in 5° steps, ensuring that the luminaire can be aligned precisely to meet individual requirements.

As usual with recessed luminaires from BÄRO, the Intara SQ series is supplied with a separate driver unit including a feed-through wiring set.

# Intara SQ 172

LED passive

COLOUR CODE	927	830	835	840
Luminous flux [lm]	2,180	2,900	2,970	3,010
System power [W]	25	25	25	25

COLOUR SPECTRUM	Sun	GoldenBread	PearlWhite
Luminous flux [lm]	2,460	2,160	2,420
System power [W]	42	25	25

COLOUR SPECTRUM	FreshMeat	SpecialMeat	Fish&Seafood
Luminous flux [lm]	1,180	1,420	1,650
System power [W]	25	25	25

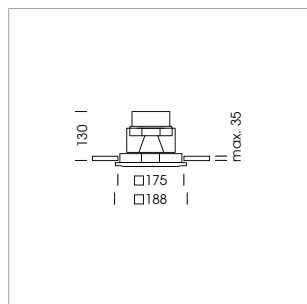


These are the smallest available system wattages and the resulting luminaire luminous fluxes for Spot, Flood and OvalBasic reflectors.

All data are typical values. System features may change with product improvements due to technical advances.

Recessed luminaire with LED, passive cooling, chromaticity point tolerance 3 SDCM (initial), reflector 99.99% pure aluminium in MIRO-SILVER®, adjustable in steps, luminaire housing sheet steel, powder-coated, including glass cover, luminaire colours strato black, strato silver, strato white, Protection rating IP 20, protection class III, separate driver unit, weight excluding driver unit 1.6 kg

Luminaire body in RAL colours, filter discs, mounting accessories and DALI-compatible driver optional



Further information and light distribution curves from page 30



# Intara SQ 173

LED active

COLOUR CODE	927	830	835	840
Luminous flux [lm]	4,150	5,490	5,630	5,710
System power [W]	53	53	53	53

COLOUR SPECTRUM	Sun	GoldenBread	PearlWhite
Luminous flux [lm]	2,980	4,100	4,580
System power [W]	53	53	53

COLOUR SPECTRUM	FreshMeat	SpecialMeat	Fish&Seafood
Luminous flux [lm]	2,250	2,550	2,970
System power [W]	53	53	53

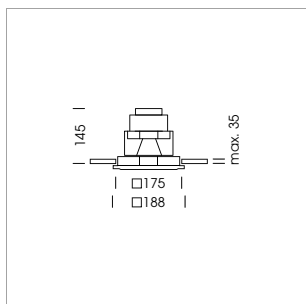


These are the smallest available system wattages and the resulting luminaire luminous fluxes for Spot, Flood and OvalBasic reflectors.

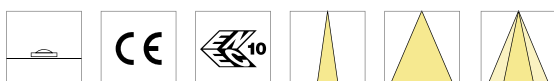
All data are typical values. System features may change with product improvements due to technical advances.

Recessed luminaire with LED, active cooling, chromaticity point tolerance 3 SDCM (initial), reflector 99.99% pure aluminium in MIRO-SILVER®, adjustable in steps, luminaire housing sheet steel, powder-coated, including glass cover, luminaire colours strato black, strato silver, strato white, protection rating IP 20, protection class III, separate driver unit, weight excluding driver unit 2.0 kg

Luminaire body in RAL colours, filter discs, mounting accessories and DALI-compatible driver optional



Further information and light distribution curves from page 30



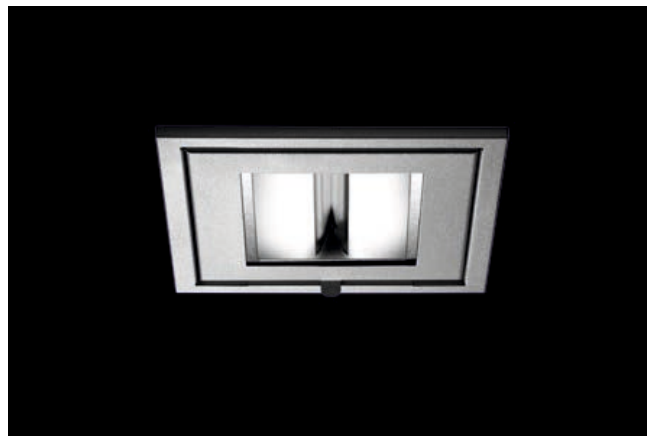
# Intara SQ 175

LED passive

COLOUR CODE	827	830	835	840
Luminous flux [lm]	6,420	6,720	6,870	6,940
System power [W]	59	59	59	59

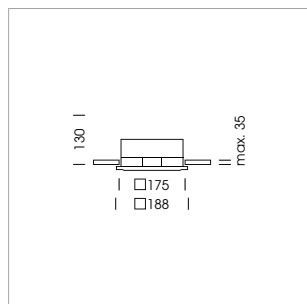
The available system wattages and the resulting luminaire luminous flux for the BatWing reflectors 2 x 25°/2 x 35° are specified.

All data are typical values. System features may change with product improvements due to technical advances.



Recessed luminaire with LED, passive cooling, chromaticity point tolerance 3 SDCM (initial), reflector 99.99% pure aluminium in MIRO-SILVER®, adjustable in steps, mounting frame and luminaire housing sheet steel, powder-coated, luminaire colours strato black, strato silver, strato white, protection rating IP 20, protection class III, separate driver unit, weight excluding driver unit 1.8 kg

Luminaire body in RAL colours, mounting accessories and DALI-compatible driver optional



Further information and light distribution curves from page 30



# Intara SQ 175

LED active

COLOUR CODE	827	830	835	840
Luminous flux [lm]	8,410	8,810	8,990	9,100
System power [W]	79	79	79	79

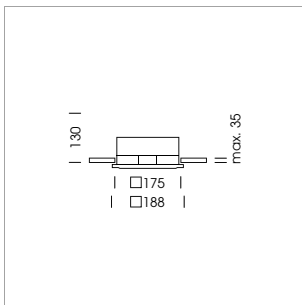
The available system wattages and the resulting luminaire luminous flux for the BatWing reflectors 2 x 25°/2 x 35° are specified.

All data are typical values. System features may change with product improvements due to technical advances.



Recessed luminaire with LED, active cooling, chromaticity point tolerance 3 SDCM (initial), reflector 99.99% pure aluminium in MIRO-SILVER®, adjustable in steps, mounting frame and luminaire housing sheet steel, powder-coated, luminaire colours strato black, strato silver, strato white, protection rating IP 20, protection class III, separate driver unit, weight excluding driver unit 1.9 kg

Luminaire body in RAL colours and mounting accessories optional



Further information and light distribution curves from page 30



# Intara SQ 177

LED passive

COLOUR CODE	827	830	840
Luminous flux [lm]	2,560	2,650	2,850
System power [W]	39	39	39

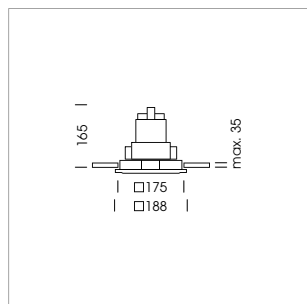
The available system wattage and the resulting luminaire luminous flux for the WallBeam reflector are specified.

All data are typical values. System features may change with product improvements due to technical advances.



Recessed luminaire with LED, active cooling, chromaticity point tolerance 3 SDCM (initial), reflector 99.99% pure aluminium in MIRO-SILVER®, adjustable in steps, luminaire housing sheet steel, powder-coated, luminaire colours strato black, strato silver, strato white, protection rating IP 20, protection class I, separate driver unit, weight excluding driver unit 1.5 kg

Luminaire body in RAL colours, mounting accessories and DALI-compatible driver optional



Further information and light distribution curves from page 30





# Intara SQ 177

LED active

COLOUR CODE	827	830	840
Luminous flux [lm]	3,700	3,830	4,120
System power [W]	59	59	59

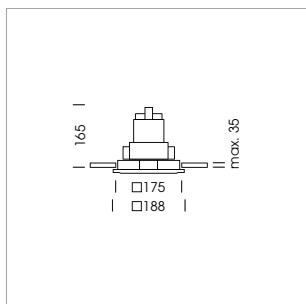
The available system wattage and the resulting luminaire luminous flux for the WallBeam reflector are specified.

All data are typical values. System features may change with product improvements due to technical advances.



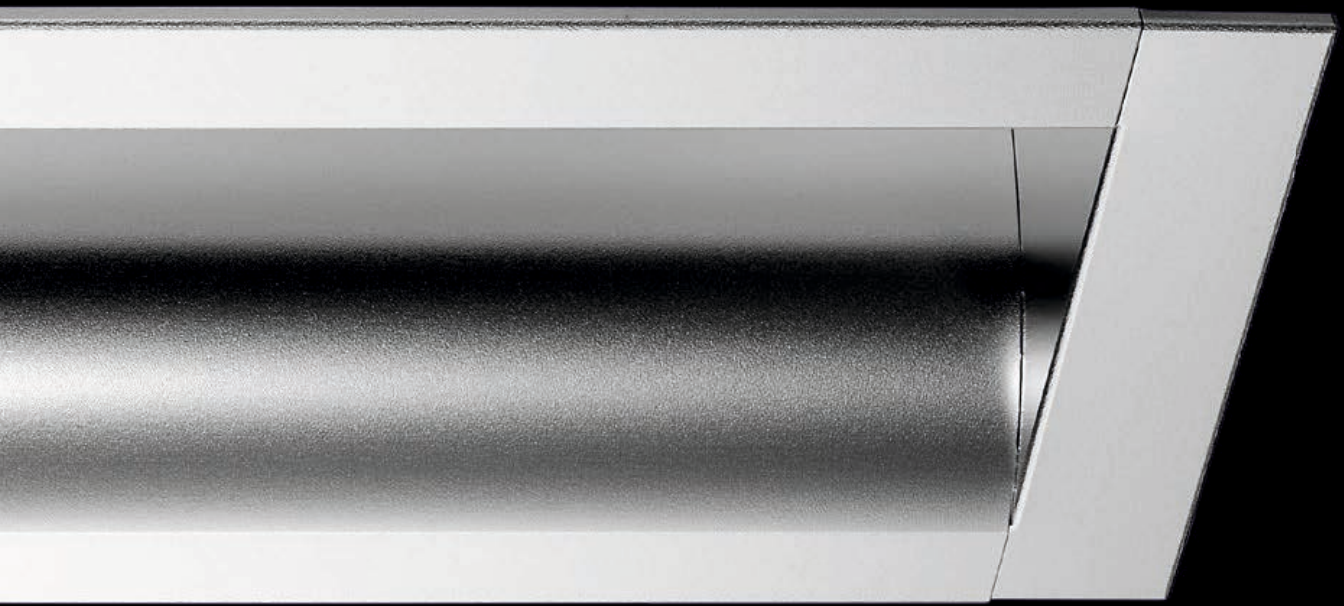
Recessed luminaire with LED, active cooling, chromaticity point tolerance 3 SDCM (initial), reflector 99.99% pure aluminium in MIRO-SILVER®, adjustable in steps, luminaire housing sheet steel, powder-coated, luminaire colours strato black, strato silver, strato white, protection rating IP 20, protection class I, separate driver unit, weight excluding driver unit 1.5 kg

Luminaire body in RAL colours, mounting accessories and DALI-compatible driver optional



Further information and light distribution curves from page 30





# Intara RC 300 . 625

RECESSED LUMINAIRES INTARA RC 300 . 625

Intara RC 300 and Intara RC 625 have been primarily designed to for the homogenous illumination of large vertical surfaces. Thanks to the asymmetrical beam angle of the reflectors, in addition to wall washing they are also perfect for lighting large objects with light projection almost flush with the ceiling.

With their indirect reflector system the linear wall washers have a high visual comfort, guaranteeing optimum deployment, also in the area close to the wall, without annoying reflections on the surface illuminated.

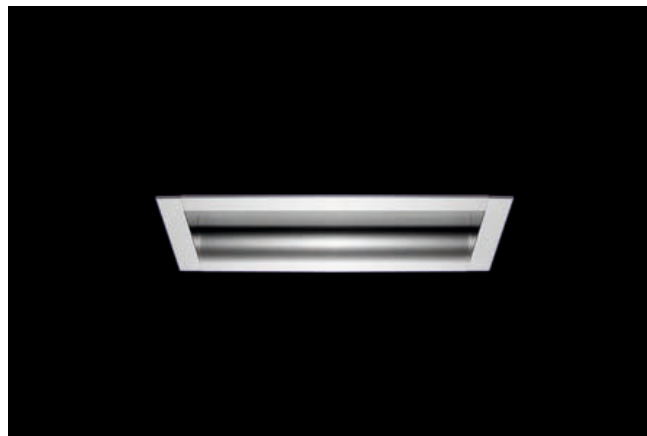
# Intara RC 300

LED passive

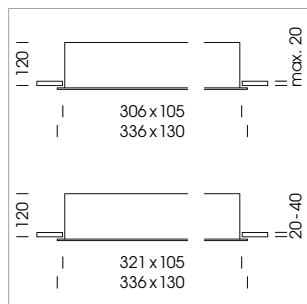
COLOUR CODE	927	830	840
Luminous flux [lm]	1,100	1,600	1,640
System power [W]	17	17	17

The available system wattage and the resulting luminaire luminous flux for the WallWash reflector are specified.

All data are typical values. System features may change with product improvements due to technical advances.



Recessed luminaire for ceiling installation and insertion, SMD LED technology, passive cooling, chromaticity point tolerance 3 SDC M (initial), reflector 99.99% pure aluminium in MIRO-SILVER®, luminaire housing and frame high-gloss anodised aluminium, protection rating IP 20, protection class III, separate driver unit, weight excluding driver unit 0.6 kg



Further information and light distribution curves from page 30



# Intara RC 625

LED passive

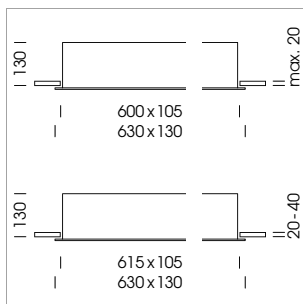
COLOUR CODE	927	830	840
Luminous flux [lm]	2,200	3,190	3,280
System power [W]	33	33	33

The available system wattage and the resulting luminaire luminous flux for the WallWash reflector are specified.

All data are typical values. System features may change with product improvements due to technical advances.



Recessed luminaire for ceiling installation and insertion, SMD LED technology, passive cooling, chromaticity point tolerance 3 SDCM (initial), reflector 99.99% pure aluminium in MIRO-SILVER®, luminaire housing and frame high-gloss anodised aluminium, protection rating IP 20, protection class III, separate driver unit, weight excluding driver unit 1.0 kg



Further information and light distribution curves from page 30



# Lighting technology

## LIGHT DISTRIBUTION CURVES AND CONE DIAGRAMS

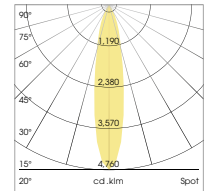
The three luminaire families are generally available as passively and actively cooled LED versions. The technical lighting data can be found on the following pages.

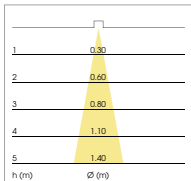
In addition to light distribution patterns such as spot and flood, the reflectors are developed with specific light distribution for optimal product presentation. Thanks to their ellipsoid light distribution pattern, OvalBasic reflectors enable effective and homogeneous illumination of product displays. BatWing reflectors have been designed for lighting aisles. Characteristic features are a double asymmetrical light distribution pattern with high vertical illuminances. Supplementing this, WallBeam and WallWash reflectors offer further special light distribution patterns for the efficient and effective illumination of vertical services.

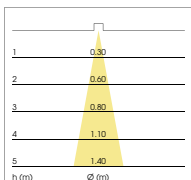
Additional special light colours are available for the natural illumination of fresh food with optimisation of inherent colours and for the individual requirements of the multi-faceted world of retail.

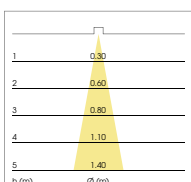
# Spot

Spot reflectors have a narrow-type, clearly defined light distribution pattern. They produce high illuminances on a relatively small area and are predestined for accent lighting.



COLOUR CODE	927	830	835	840	
Luminaire luminous flux [lm]	2,180 . 4,580	2,900 . 6,090	2,970 . 6,240	3,010 . 6,340	
System power [W]	25 . 61	25 . 61	25 . 61	25 . 61	
Illuminance [lx]					
					
1	0.30	10,333 . 21,708	13,745 . 28,865	14,077 . 29,576	14,267 . 30,050
2	0.60	2,583 . 5,427	3,436 . 7,216	3,519 . 7,394	3,567 . 7,513
3	0.80	1,148 . 2,412	1,527 . 3,207	1,564 . 3,286	1,585 . 3,339
4	1.10	646 . 1,357	859 . 1,804	880 . 1,849	892 . 1,878
5	1.40	413 . 868	550 . 1,155	563 . 1,183	571 . 1,202
	h (m)    Ø (m)				

COLOUR CODE	Sun	GoldenBread	PearlWhite	
Luminaire luminous flux [lm]	2,460 . 2,980	2,160 . 4,100	2,420 . 4,580	
System power [W]	42 . 53	25 . 53	25 . 53	
Illuminance [lx]				
				
1	0.30	12,895 . 15,621	10,238 . 19,433	11,470 . 21,708
2	0.60	3,224 . 3,905	2,559 . 4,858	2,868 . 5,427
3	0.80	1,433 . 1,736	1,138 . 2,159	1,274 . 2,412
4	1.10	806 . 976	640 . 1,215	717 . 1,357
5	1.40	516 . 625	410 . 777	459 . 868
	h (m)    Ø (m)			

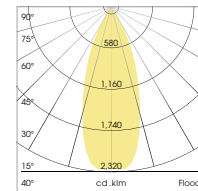
COLOUR CODE	FreshMeat	SpecialMeat	Fish & Seafood	
Luminaire luminous flux [lm]	1,180 . 2,250	1,420 . 2,550	1,650 . 2,970	
System power [W]	25 . 53	25 . 53	25 . 53	
Illuminance [lx]				
				
1	0.30	5,593 . 10,664	6,730 . 12,086	7,821 . 14,077
2	0.60	1,398 . 2,666	1,683 . 3,022	1,955 . 3,519
3	0.80	621 . 1,185	748 . 1,343	869 . 1,564
4	1.10	350 . 667	421 . 755	489 . 880
5	1.40	224 . 427	269 . 483	313 . 563
	h (m)    Ø (m)			

The values specified are the minimum and maximum values available.

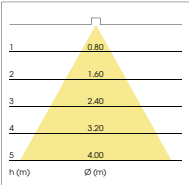
Please refer to our data sheets at [www.baero.com](http://www.baero.com) for information on colour rendering, rated lamp lifetime and further technical details. All data are typical values. System features may change with product improvements due to technical advances. Errors excepted.

# Flood

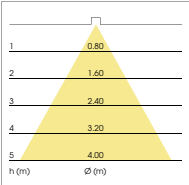
Flood reflectors have a wide and soft-edged light cone. They are suitable both for illuminating larger surfaces and for general lighting.



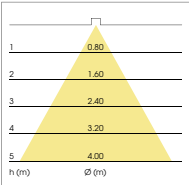
**COLOUR CODE**

	927	830	835	840
Luminaire luminous flux [lm]	2,180 . 4,580	2,900 . 6,090	2,970 . 6,240	3,010 . 6,340
System power [W]	25 . 61	25 . 61	25 . 61	25 . 61
Illuminance [lx]				
		4,234 . 8,896	5,633 . 11,829	5,419 . 12,120
		1,059 . 2,224	1,408 . 2,957	1,355 . 3,030
		470 . 988	626 . 1,314	602 . 1,347
		265 . 556	352 . 739	339 . 758
		169 . 356	225 . 473	217 . 485
				5,847 . 12,315
				1,462 . 3,079
				650 . 1,368
				365 . 770
				234 . 493

**COLOUR CODE**

	Sun	GoldenBread	PearlWhite
Luminaire luminous flux [lm]	2,460 . 2,980	2,160 . 4,100	2,420 . 4,580
System power [W]	42 . 53	25 . 53	25 . 53
Illuminance [lx]			
		5,595 . 6,777	4,196 . 7,964
		1,399 . 1,694	1,049 . 1,991
		622 . 753	466 . 885
		350 . 424	294 . 556
		224 . 271	188 . 356
			4,701 . 8,896
			1,175 . 2,224
			522 . 988
			294 . 556
			188 . 356

**COLOUR CODE**

	FreshMeat	SpecialMeat	Fish & Seafood
Luminaire luminous flux [lm]	1,180 . 2,250	1,420 . 2,550	1,650 . 2,970
System power [W]	25 . 53	25 . 53	25 . 53
Illuminance [lx]			
		2,292 . 4,370	2,758 . 4,953
		573 . 1,093	690 . 1,238
		255 . 486	306 . 550
		143 . 273	172 . 310
		92 . 175	110 . 198
			3,205 . 5,769
			801 . 1,442
			356 . 641
			200 . 361
			128 . 231

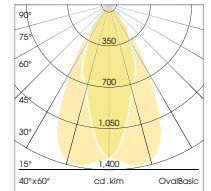
The values specified are the minimum and maximum values available.

Please refer to our data sheets at [www.baero.com](http://www.baero.com) for information on colour rendering, rated lamp lifetime and further technical details. All data are typical values. System features may change with product improvements due to technical advances. Errors excepted.

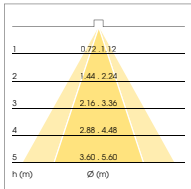


# OvalBasic

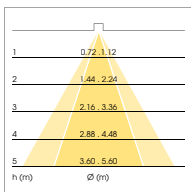
OvalBasic reflectors enable wide spacing between luminaires and are ideal for homogeneous illumination of long product displays from a normal room height.



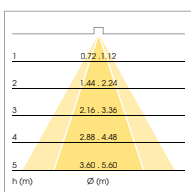
## COLOUR CODE

	927	830	835	840
Luminaire luminous flux [lm]	2,180 . 4,580	2,900 . 6,090	2,970 . 6,240	3,010 . 6,340
System power [W]	25 . 61	25 . 61	25 . 61	25 . 61
Illuminance [lx]				
				
1	0,72 . 1,12	2,816 . 5,917	3,746 . 7,867	3,837 . 8,061
2	1,44 . 2,24	704 . 1,479	937 . 1,967	959 . 2,015
3	2,16 . 3,36	313 . 657	416 . 874	426 . 896
4	2,88 . 4,48	176 . 370	234 . 492	240 . 504
5	3,60 . 5,60	113 . 237	150 . 315	153 . 322
	h (m)      Ø (m)			

## COLOUR CODE

	Sun	GoldenBread	PearlWhite
Luminaire luminous flux [lm]	2,430 . 2,980	2,160 . 4,100	2,420 . 4,580
System power [W]	42 . 53	25 . 53	25 . 53
Illuminance [lx]			
			
1	0,72 . 1,12	3,542 . 4,286	2,790 . 5,296
2	1,44 . 2,24	886 . 1,071	698 . 1,324
3	2,16 . 3,36	394 . 476	310 . 588
4	2,88 . 4,48	221 . 268	174 . 331
5	3,60 . 5,60	142 . 171	112 . 212
	h (m)      Ø (m)		

## COLOUR CODE

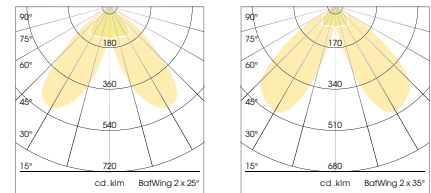
	FreshMeat	SpecialMeat	Fish & Seafood
Luminaire luminous flux [lm]	1,180 . 2,250	1,420 . 2,550	1,650 . 2,970
System power [W]	25 . 53	25 . 53	25 . 53
Illuminance [lx]			
			
1	0,72 . 1,12	1,524 . 2,907	1,834 . 3,294
2	1,44 . 2,24	381 . 727	459 . 824
3	2,16 . 3,36	169 . 323	204 . 366
4	2,88 . 4,48	95 . 182	115 . 206
5	3,60 . 5,60	61 . 116	73 . 132
	h (m)      Ø (m)		

The values specified are the minimum and maximum values available.

Please refer to our data sheets at [www.baero.com](http://www.baero.com) for information on colour rendering, rated lamp lifetime and further technical details. All data are typical values. System features may change with product improvements due to technical advances. Errors excepted.

# BatWing

BatWing reflectors are characterised by a double asymmetrical light distribution pattern with high vertical illuminances and are first and foremost designed for illuminating aisles.

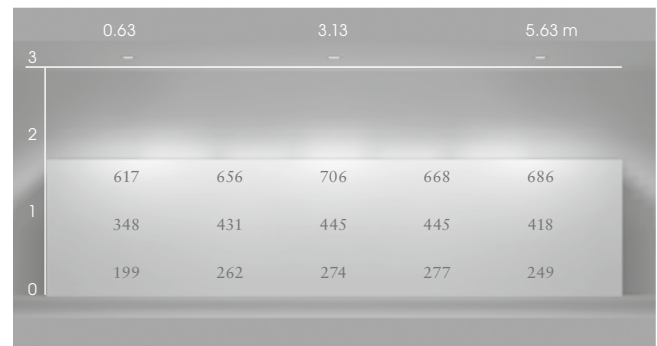
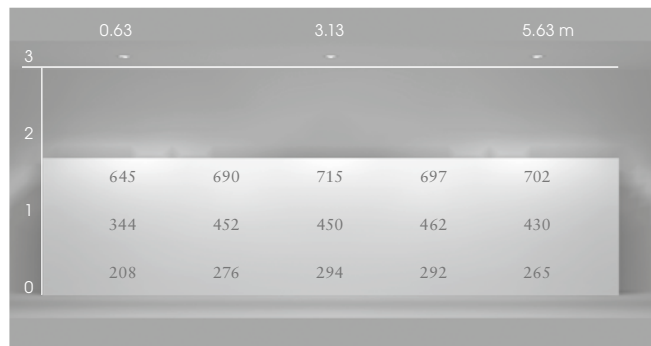


## SAMPLE DISTRIBUTION OF ILLUMINANCE

BatWing reflectors (Luminaire type Intara RD 190)

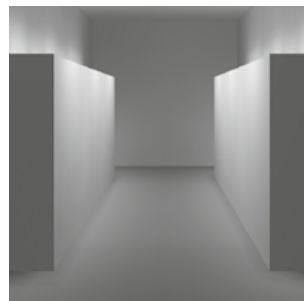
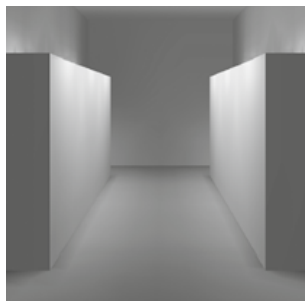
Number of luminaires 3  
 Distance to illuminated surface 0.90 m  
 Distance between luminaires 2.50 m  
 Beam angle 2 x 25°

Number of luminaires 3  
 Distance to illuminated surface 0.90 m  
 Distance between luminaires 2.50 m  
 Beam angle 2 x 35°



h (m) Illuminance (lx)

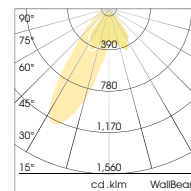
h (m) Illuminance (lx)



Please refer to our data sheets at [www.baero.com](http://www.baero.com) for information on colour rendering, rated lamp lifetime and further technical details. All data are typical values. System features may change with product improvements due to technical advances. Errors excepted.

# WallBeam

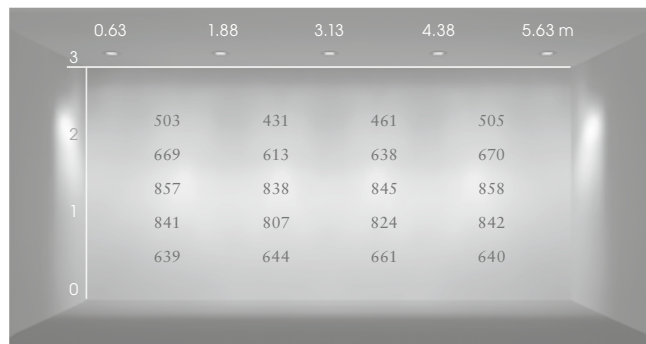
WallBeam reflectors are characterised by a light distribution pattern with a focus point in the centre. Their emission characteristics make them ideal for the broad and yet powerful and accentuated illumination of vertical surfaces.



## SAMPLE DISTRIBUTION OF ILLUMINANCE

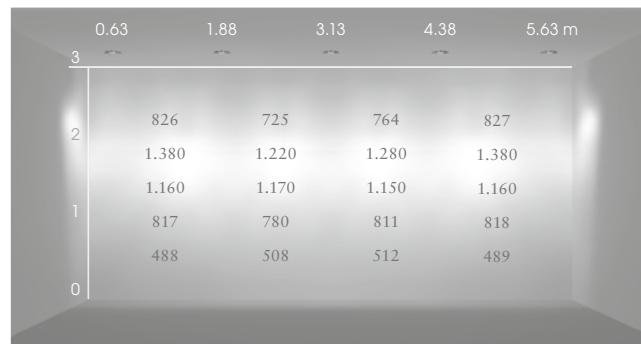
WallBeam reflectors (Luminaire type Intara RD 197)

Number of luminaires 5  
 Distance to illuminated surface 1.00 m  
 Distance between luminaires 1.25 m  
 Angle of adjustment 0°



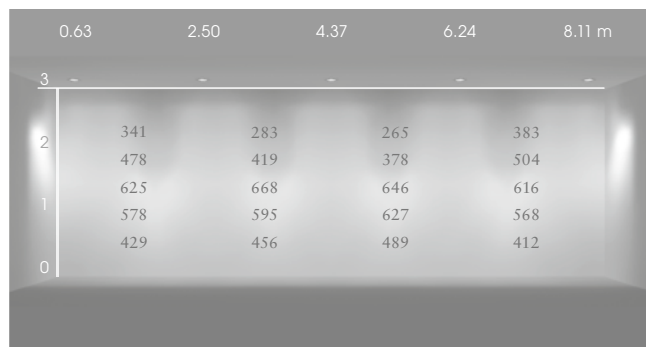
h (m) Illuminance (lx)

Number of luminaires 5  
 Distance to illuminated surface 1.00 m  
 Distance between luminaires 1.25 m  
 Angle of adjustment 10°



h (m) Illuminance (lx)

Number of luminaires 5  
 Distance to illuminated surface 1.00 m  
 Distance between luminaires 1.87 m  
 Angle of adjustment 0°

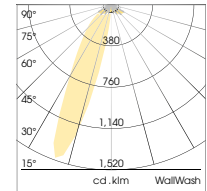


h (m) Illuminance (lx)

Please refer to our data sheets at [www.baero.com](http://www.baero.com) for information on colour rendering, rated lamp lifetime and further technical details. All data are typical values. System features may change with product improvements due to technical advances. Errors excepted.

# WallWash

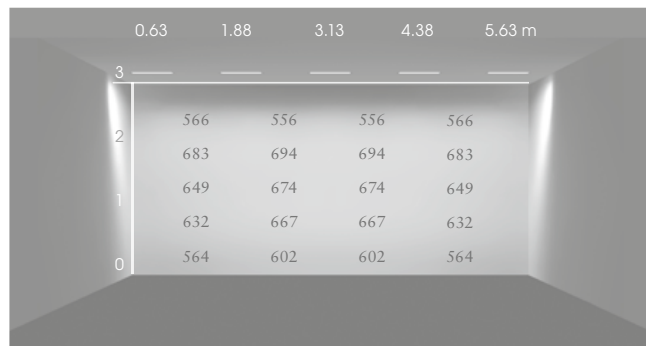
WallWash reflectors have a soft, diffuse light distribution pattern. Thanks to the asymmetrical beam angle they have been primarily designed for the homogenous illumination of large vertical surfaces such as large objects.



## SAMPLE DISTRIBUTION OF ILLUMINANCE

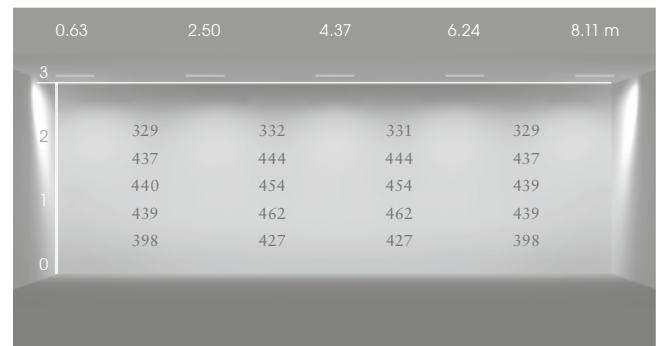
WallWash reflectors (Luminaire type Intara RC 625)

Number of luminaires 5  
 Distance to illuminated surface 1.00 m  
 Distance between luminaires 1.25 m  
 Ceiling height 3.00 m



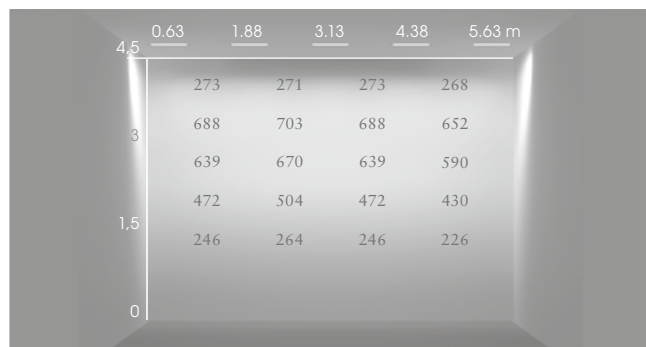
h (m) Illuminance (lx)

Number of luminaires 5  
 Distance to illuminated surface 1.00 m  
 Distance between luminaires 1.87 m  
 Ceiling height 3.00 m



h (m) Illuminance (lx)

Number of luminaires 5  
 Distance to illuminated surface 1.00 m  
 Distance between luminaires 1.25 m  
 Ceiling height 4.50 m



h (m) Illuminance (lx)

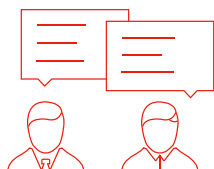
Please refer to our data sheets at [www.baero.com](http://www.baero.com) for information on colour rendering, rated lamp lifetime and further technical details. All data are typical values. System features may change with product improvements due to technical advances. Errors excepted.

Fresh, healthy, ecological, energy-efficient – our lifestyles and standards are changing. The range of products on offer is becoming more complex, guidance and trust more important. We are constantly searching for new types of lighting technology and are consistently developing new presentation options. For our customers. And our customers' customers.

Fresh Light for Fresh Products.



# BÄRO – Your lighting partner right from the start



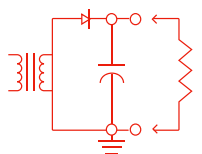
## > ADVICE

A fundamental aspect of our advice is to convey to all those involved in the project the huge potential and the many nuanced possibilities of expression offered by the medium light today thanks to LED technology. Talk to our lighting consultants and find out about the impact that BÄRO products can have in your store – not just in view of effectiveness and efficiency, but also and especially in terms of the emotionality of light.



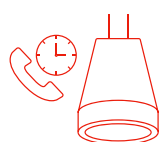
## > PLANNING

Light can be designed in many different qualities and dimensions. Sophisticated light planning not only supports the dramaturgy of the shopping experience; it also allows the lighting to be perfectly tailored to the different visual tasks and product groups. We are committed to finding a customised, expressive light balance for every concept – through the interplay of light distribution and light channelling, light intensities and light colours.



## > INSTALLATION

Careful and professional installation is just as important as effective and creative lighting planning. BÄRO supports you in the installation and alignment of luminaires on site – so that your customised lighting concept rapidly takes shape and unforeseen issues are quickly resolved. In this way you can be sure that the lighting is perfectly focused on the room and the products.



## > SUPPORT

Our service does not end when your lighting system is put into operation. BÄRO is available for questions and services even after completion of the project – from subsequent adjustments to the concept that only become apparent during operation to straightforward assistance in the unlikely event of a defect. It is not without good reason that we give a 5-year LED guarantee on our products.

## > CONTACT

Telephone: +49 (0)800 799 1000 / e-Mail: [service@baero.com](mailto:service@baero.com)

Printed by:  
Köllen Druck & Verlag GmbH

Concept and Art Direction:  
Meiré und Meiré, Köln  
[www.meireundmeire.de](http://www.meireundmeire.de)

Photography:  
Hartmut Nägele  
Stephan Abry  
Elmar Botschen

BÄRO GmbH & Co. KG  
Wolfstall 54-56  
42799 Leichlingen . Germany

T +49 2174 799 0  
F +49 2174 799 799  
[www.baero.com](http://www.baero.com)